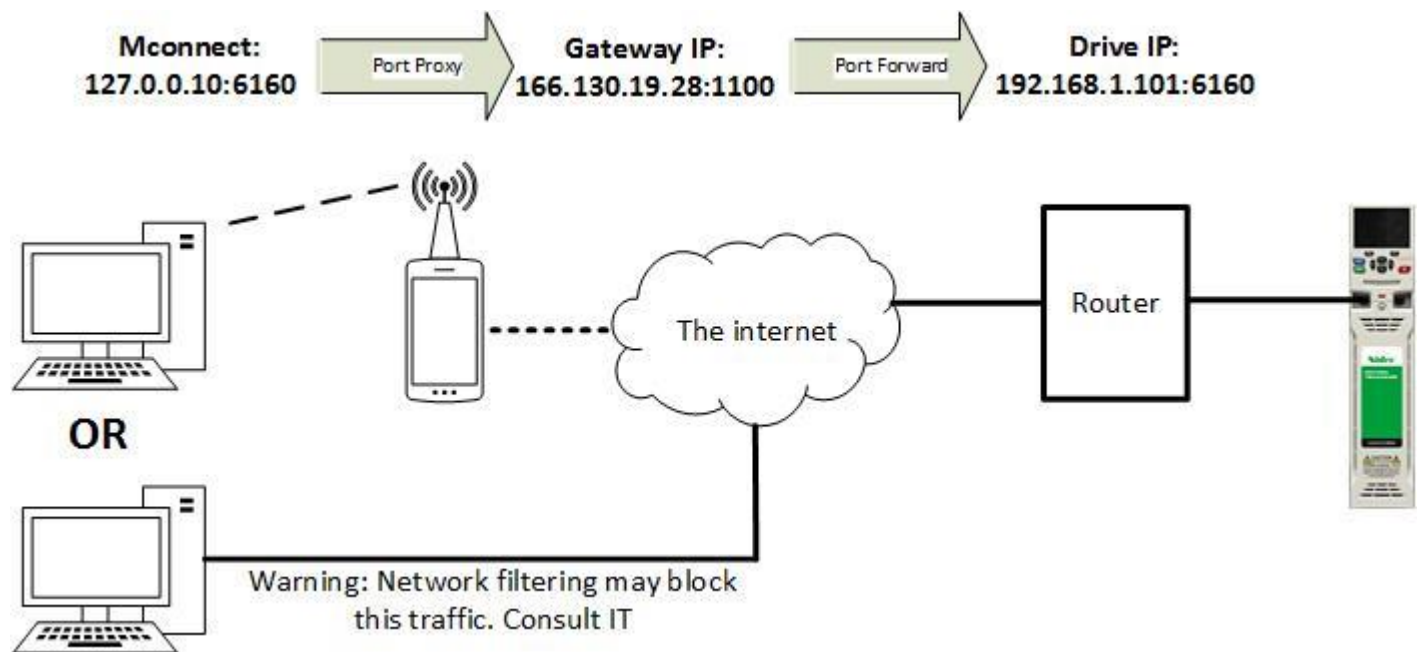


Port Forwarding with MConnect

Description: Use Windows NetShell to configure PC-side port forwarding in order to access remote drives on the wide area network.

Theory: MConnect does not allow you to specify a port to connect to. The following is a workaround that will allow you to connect to a drive, which is not on your local network, by forwarding the local IP specified in MConnect to the public IP of your gateway device.

Devices: Unidrive M700, Cradlepoint router (MBR1200B) w/ aircard 340u modem



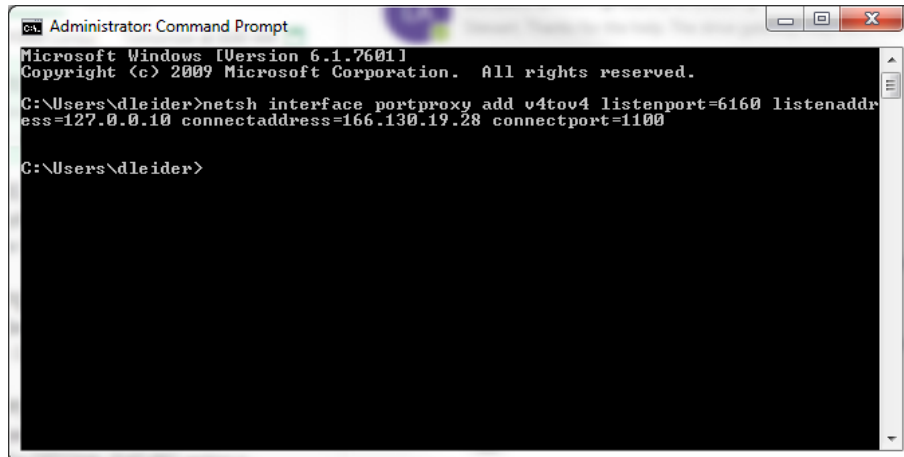
Process:

1. First use Windows NetShell PortProxy to configure you internal port-forwarding. The command is:

```
netsh interface portproxy add v4tov4 listenport=6160 listenaddress=127.0.0.10
```



connectaddress=[IP of modem] connectport=1100



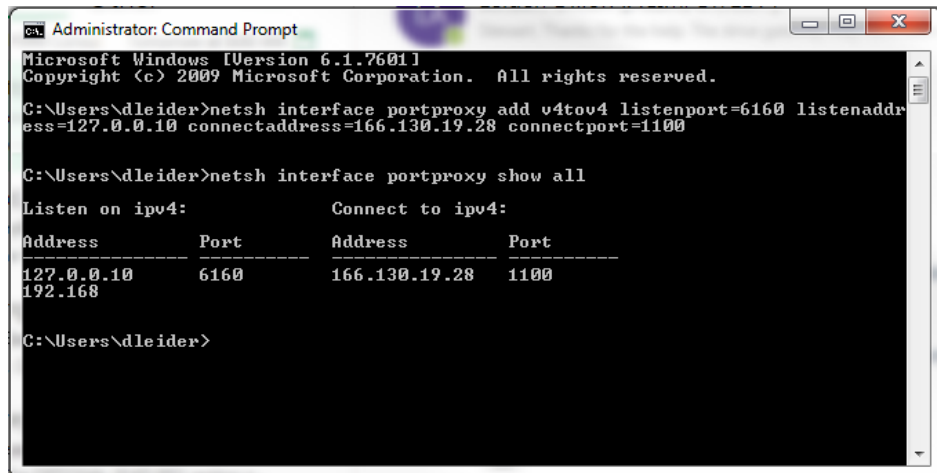
```
Administrator: Command Prompt
Microsoft Windows [Version 6.1.7601]
Copyright (c) 2009 Microsoft Corporation. All rights reserved.

C:\Users\dleider>netsh interface portproxy add v4tov4 listenport=6160 listenaddress=127.0.0.10 connectaddress=166.130.19.28 connectport=1100

C:\Users\dleider>
```

2. Check that the command worked by using this command:

Netsh interface portproxy show all



```
Administrator: Command Prompt
Microsoft Windows [Version 6.1.7601]
Copyright (c) 2009 Microsoft Corporation. All rights reserved.

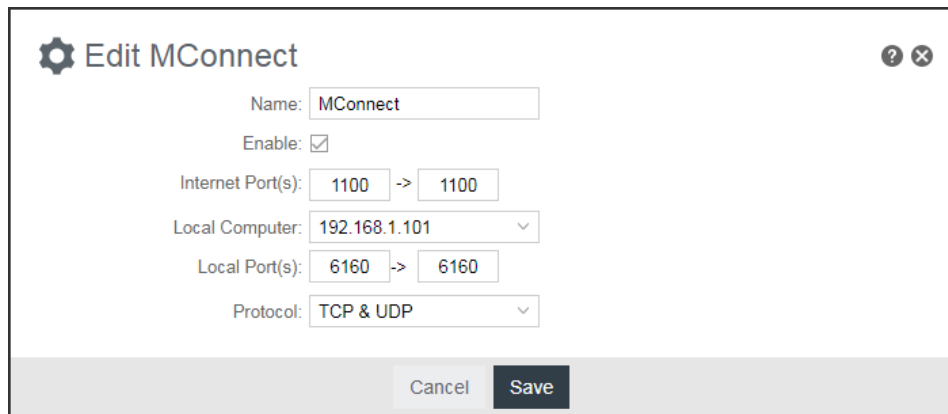
C:\Users\dleider>netsh interface portproxy add v4tov4 listenport=6160 listenaddress=127.0.0.10 connectaddress=166.130.19.28 connectport=1100

C:\Users\dleider>netsh interface portproxy show all

Listen on ipv4:          Connect to ipv4:
-----
Address      Port          Address      Port
-----
127.0.0.10   6160         166.130.19.28 1100
192.168

C:\Users\dleider>
```

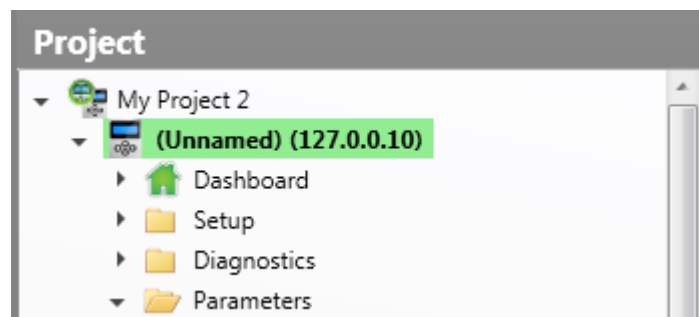
3. Configure port forwarding on your router or gateway device.
 - Forward internet port 1100 to local port 6160 at the IP address of your drive/MCi. In my case, the drive IP was 192.168.1.101



4. Make sure that the drive gateway address (4.02.008) and subnet address (4.02.007) match the gateway and subnet of your router/gateway device. DHCP should be OFF.

Address	Network message count	Network message count	IP message count
4.02.005	DHCP Enable	DHCP Enable	<input type="checkbox"/> Off
4.02.006	IP Address	IP Address	192.168.1.101
4.02.007	Subnet Mask	Subnet Mask	255.255.255.0
4.02.008	Default Gateway	Default Gateway	192.168.1.1
4.02.009	Primary DNS	Primary DNS	0.0.0.0

5. If the configuration was successful, you should now be able to connect to the drive using the portproxy IP address (127.0.0.10)



- On